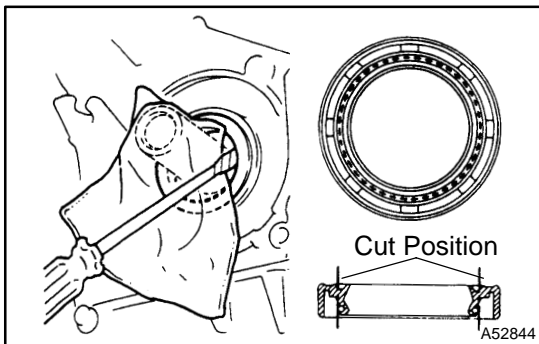


OIL PUMP SEAL (3MZ-FE)

REPLACEMENT

1. REMOVE FR WIPER ARM LH (See page 66-7)
2. REMOVE FR WIPER ARM RH (See page 66-7)
3. REMOVE COWL TOP VENTILATOR LOUVER SUB-ASSY (See page 66-7)
4. REMOVE WINDSHIELD WIPER LINK ASSY (See page 66-7)
5. REMOVE COWL PANEL SUB-ASSY
6. REMOVE FRONT WHEEL RH
7. REMOVE ENGINE UNDER COVER NO.1
8. REMOVE FRONT FENDER APRON SEAL RH
9. REMOVE V (COOLER COMPRESSOR TO CRANKSHAFT PULLEY) BELT NO.1 (See page 14-125)
10. REMOVE VANE PUMP V BELT (See page 14-125)
11. REMOVE ENGINE MOVING CONTROL ROD (See page 14-149)
12. REMOVE ENGINE MOUNTING STAY NO.2 RH (See page 14-149)
13. REMOVE GENERATOR BRACKET NO.2
14. REMOVE CRANKSHAFT PULLEY (See page 14-173)
15. REMOVE TIMING BELT NO.1 COVER
16. REMOVE TIMING BELT NO.2 COVER (See page 14-206)
17. REMOVE ENGINE MOUNTING BRACKET RH
18. REMOVE TIMING BELT GUIDE NO.2
19. REMOVE TIMING BELT (See page 14-206)
20. REMOVE CRANKSHAFT TIMING PULLEY (See page 14-173)



21. REMOVE OIL PUMP SEAL

- (a) Using a knife, cut through the oil seal lip.
- (b) Using a screwdriver with its tip wrapped in tape, pry out the oil seal.

NOTICE:

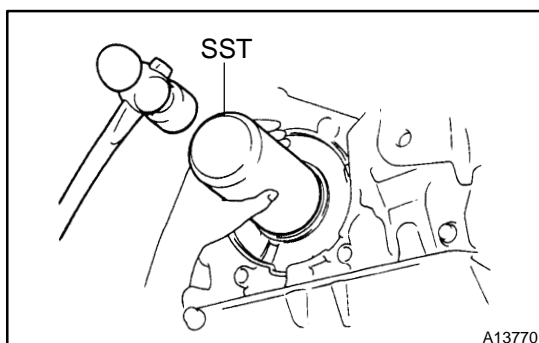
After the removal, check the crankshaft for damage. If it is damaged, smooth the surface with 400-grit sandpaper.

22. INSTALL OIL PUMP SEAL

- (a) Apply MP grease to a new oil seal lip.

NOTICE:

Keep the lip free of foreign matter.



- (b) Using SST and a hammer, tap in the oil seal until its surface is flush with the oil pump edge.
SST 09223-00010

NOTICE:

- Be careful not to tap the oil seal slantingly.
- Wipe off extra grease on the crankshaft.

23. INSTALL CRANKSHAFT TIMING PULLEY (See page 14-173)
24. INSPECT TIMING BELT (See page 14-206)
25. INSTALL TIMING BELT (See page 14-206)
26. INSTALL TIMING BELT TENSIONER ASSY (See page 14-206)
27. INSTALL TIMING BELT GUIDE NO.2 (See page 14-206)
28. INSTALL ENGINE MOUNTING BRACKET RH
Torque: 28 N·m (286 kgf·cm, 21 ft·lbf)
29. INSTALL TIMING BELT NO.2 COVER (See page 14-206)
30. INSTALL TIMING BELT NO.1 COVER (See page 14-206)
31. INSTALL CRANKSHAFT PULLEY (See page 14-173)
32. INSTALL GENERATOR BRACKET NO.2
Torque: 28 N·m (286 kgf·cm, 21 ft·lbf)
33. INSTALL ENGINE MOUNTING STAY NO.2 RH (See page 14-149)
34. INSTALL ENGINE MOVING CONTROL ROD (See page 14-149)
35. INSTALL VANE PUMP V BELT (See page 14-125)
36. INSTALL V (COOLER COMPRESSOR TO CRANKSHAFT PULLEY) BELT NO.1
(See page 14-125)
37. INSPECT DRIVE BELT TENSION (See page 14-121)
38. INSTALL COWL PANEL SUB-ASSY
39. INSTALL WINDSHIELD WIPER LINK ASSY (See page 66-7)
40. INSTALL COWL TOP VENTILATOR LOUVER SUB-ASSY (See page 66-7)
41. INSTALL FR WIPER ARM LH (See page 66-7)
42. INSTALL FR WIPER ARM RH (See page 66-7)
43. INSTALL FRONT WHEEL RH
44. CHECK FOR ENGINE OIL LEAKS