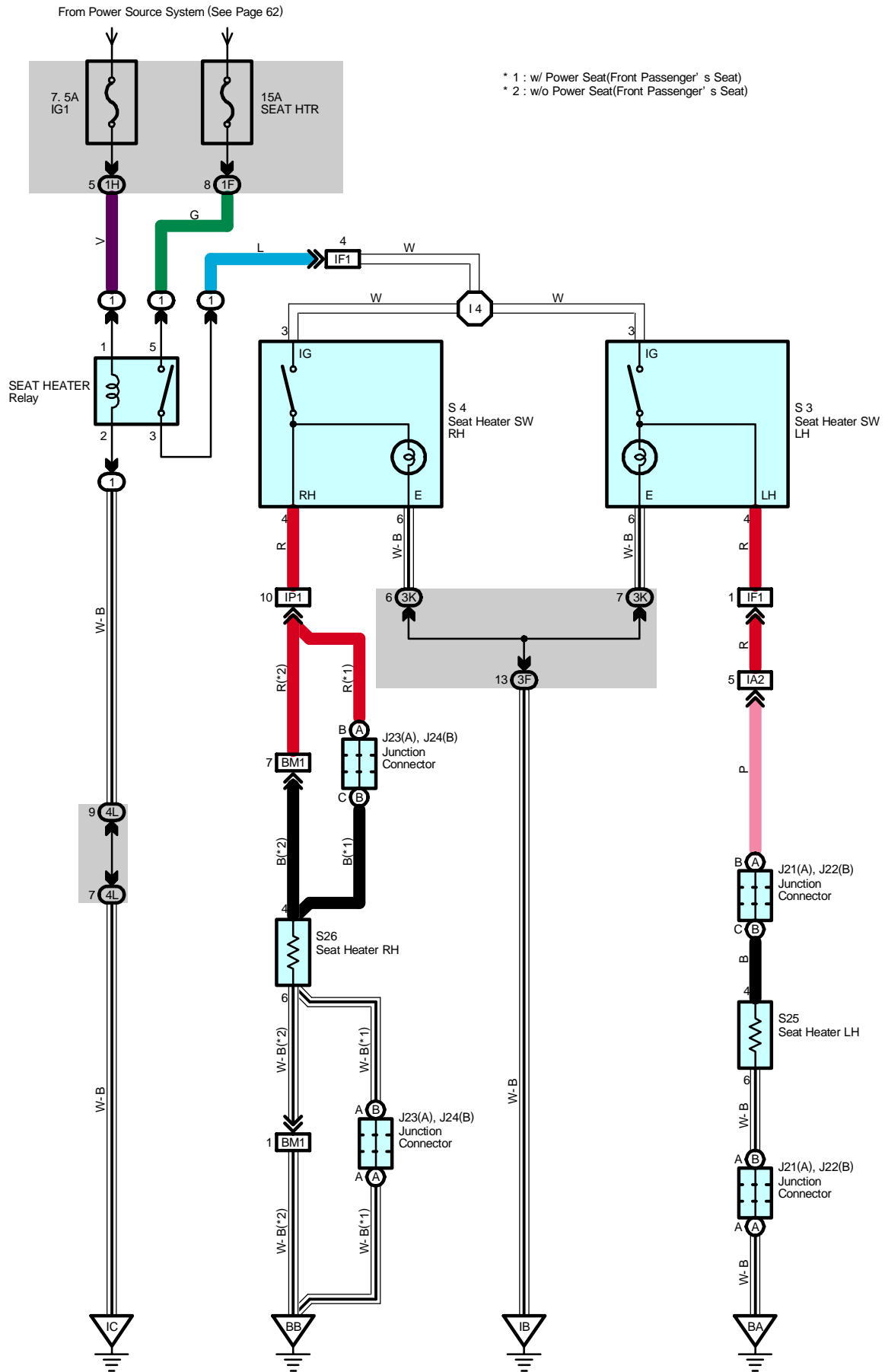


# Seat Heater



## Service Hints

### SEAT HEATER Relay

5-3 : Closed with the ignition SW at ON position

### S3 Seat Heater SW LH

3-Ground : Approx. 12 volts with the ignition SW at ON position

6-Ground : Always continuity

### S4 Seat Heater SW RH

3-Ground : Approx. 12 volts with the ignition SW at ON position

6-Ground : Always continuity

## ○ : PARTS LOCATION

Code		See Page	Code		See Page	Code		See Page
J21	A	<a href="#">46 (w/ Power Seat)</a>	J24	B	<a href="#">46 (w/ Power Seat)</a>	S25	<a href="#">46 (w/ Power Seat)</a>	
J22	B	<a href="#">46 (w/ Power Seat)</a>	S3		<a href="#">43</a>	S26	<a href="#">46 (w/ Power Seat)</a>	
J23	A	<a href="#">46 (w/ Power Seat)</a>	S4		<a href="#">43</a>		<a href="#">47 (w/o Power Seat)</a>	

## ○ : RELAY BLOCKS

Code	See Page	Relay Blocks (Relay Block Location)
1	<a href="#">24</a>	R/B No.1 (Lower Finish Panel)

## ○ : JUNCTION BLOCK AND WIRE HARNESS CONNECTOR

Code	See Page	Junction Block and Wire Harness (Connector Location)
1F	<a href="#">29</a>	Cowl Wire and Instrument Panel J/B (Lower Finish Panel)
1H		
3F	<a href="#">30</a>	Instrument Panel Wire and Center J/B (Behind the Instrument Panel Center)
3K	<a href="#">31</a>	
4L	<a href="#">32</a>	Cowl Wire and Passenger Side J/B (Right Side of Groove Box)

## □ : CONNECTOR JOINING WIRE HARNESS AND WIRE HARNESS

Code	See Page	Joining Wire Harness and Wire Harness (Connector Location)
IA2	<a href="#">52</a>	Cowl Wire and Floor No.2 Wire (Left Kick Panel)
IF1	<a href="#">52</a>	Instrument Panel Wire and Cowl Wire (Right Side of Instrument Panel J/B)
IP1	<a href="#">54</a>	Instrument Panel Wire and Floor Wire (Left Side of Passenger Side J/B)
BM1	<a href="#">58</a>	Floor Wire and Front Seat RH Wire (Under the Front Passenger's Seat)

## ▽ : GROUND POINTS

Code	See Page	Ground Points Location
IB	<a href="#">52</a>	Right Instrument Panel Brace
IC	<a href="#">52</a>	Right Cowl Side Panel
BA	<a href="#">56</a>	Left Center Pillar
BB	<a href="#">56</a>	Right Center Pillar

## ○ : SPLICE POINTS

Code	See Page	Wire Harness with Splice Points	Code	See Page	Wire Harness with Splice Points
I4	<a href="#">54</a>	Instrument Panel Wire			