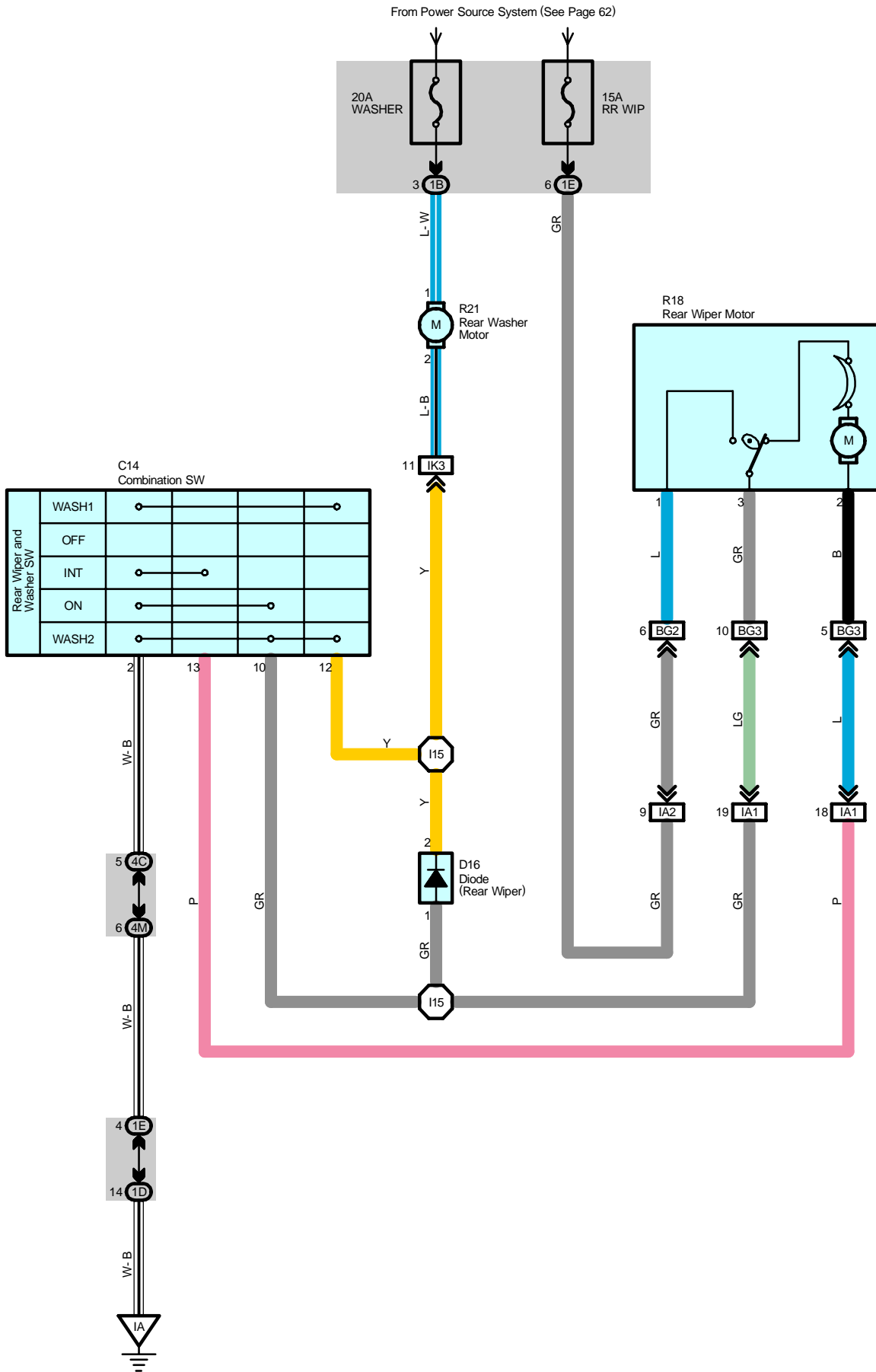


# Rear Wiper and Washer



### Service Hints

#### R21 Rear Washer Motor

- 1-Ground : Approx. 12 volts with the ignition SW at ON position
- 2-Ground : Continuity with the rear wiper and washer SW at WASH 1 or WASH 2 position

#### R18 Rear Wiper Motor

- 1-Ground : Approx. 12 volts with the ignition SW at ON position

### : PARTS LOCATION

Code	See Page	Code	See Page	Code	See Page
C14	42	R18	45	R21	41 (2AZ-FE)
D16	42	R21	39 (3MZ-FE)		

### : JUNCTION BLOCK AND WIRE HARNESS CONNECTOR

Code	See Page	Junction Block and Wire Harness (Connector Location)
1B	29	Engine Room Main Wire and Instrument Panel J/B (Lower Finish Panel)
1D	29	Cowl Wire and Instrument Panel J/B (Lower Finish Panel)
1E		
4C	33	Cowl Wire and Passenger Side J/B (Right Side of Groove Box)
4M	32	

### : CONNECTOR JOINING WIRE HARNESS AND WIRE HARNESS

Code	See Page	Joining Wire Harness and Wire Harness (Connector Location)
IA1	52	Cowl Wire and Floor No.2 Wire (Left Kick Panel)
IA2		
IK3	54	Engine Room Main Wire and Cowl Wire (Right Cowl Side Panel)
BG2	56	Back Door No.1 Wire and Floor No.2 Wire (Rear Left of the Roof)
BG3		

### : GROUND POINTS

Code	See Page	Ground Points Location
IA	52	Left Cowl Side Panel

### : SPLICE POINTS

Code	See Page	Wire Harness with Splice Points	Code	See Page	Wire Harness with Splice Points
I15	54	Cowl Wire			