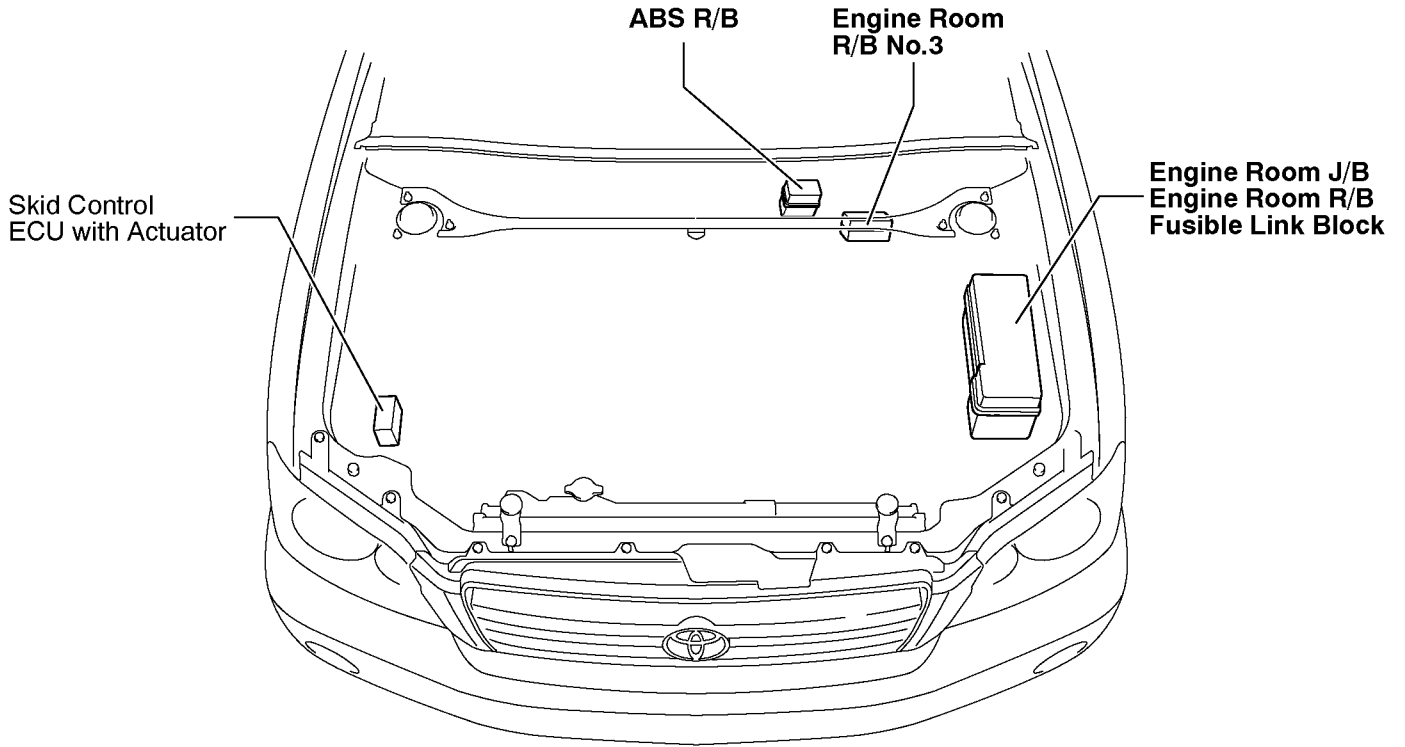
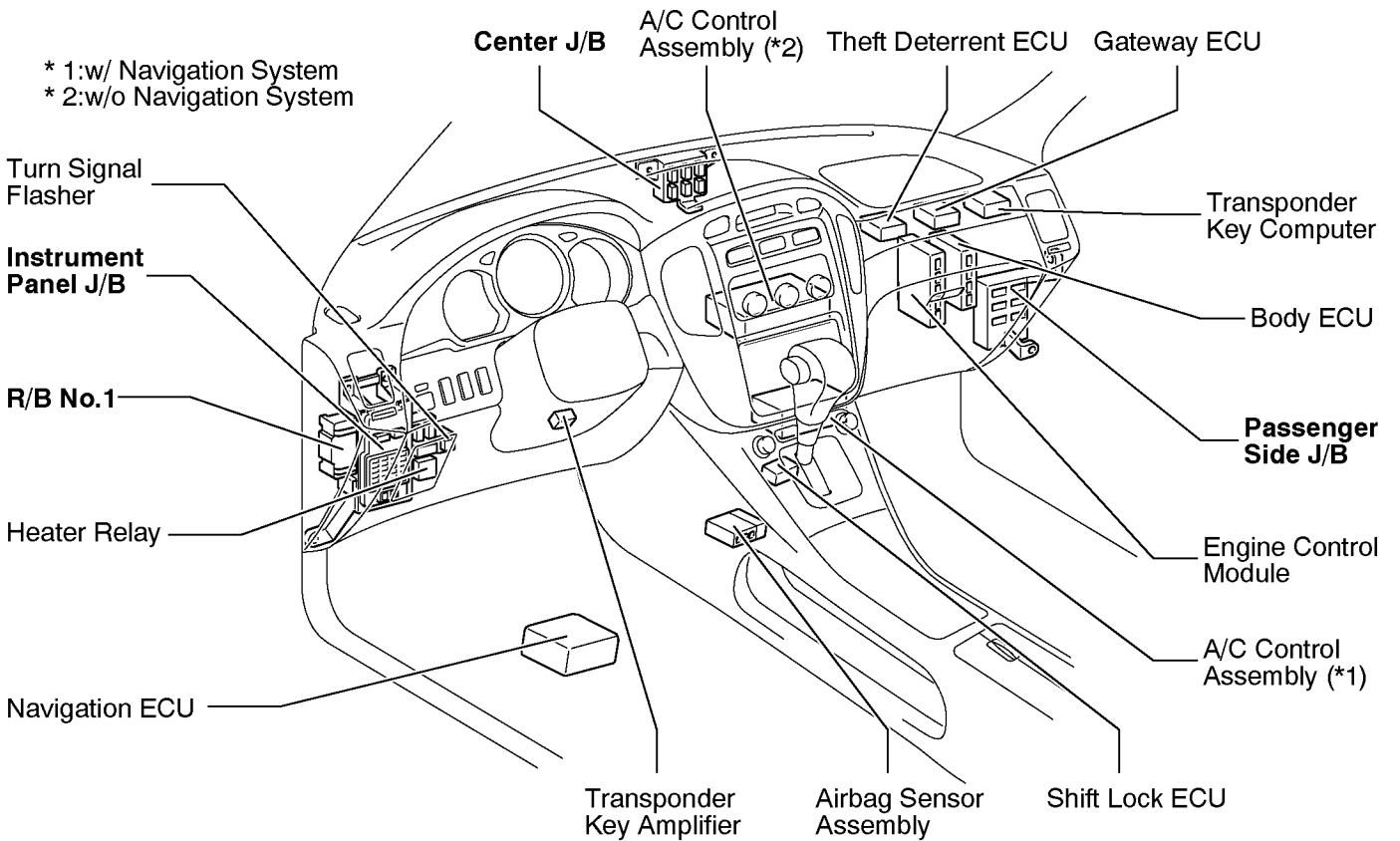


F RELAY LOCATIONS

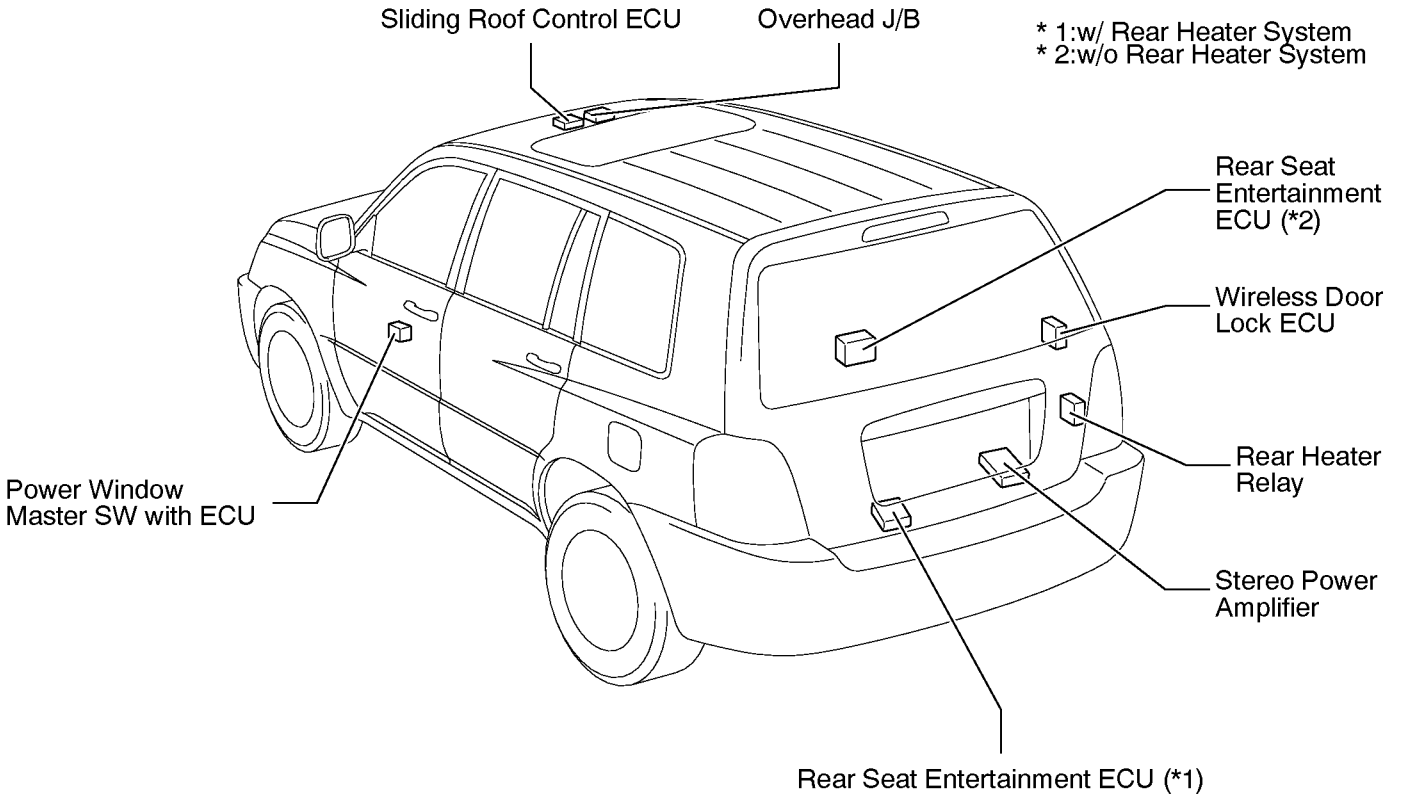
[Engine Compartment]



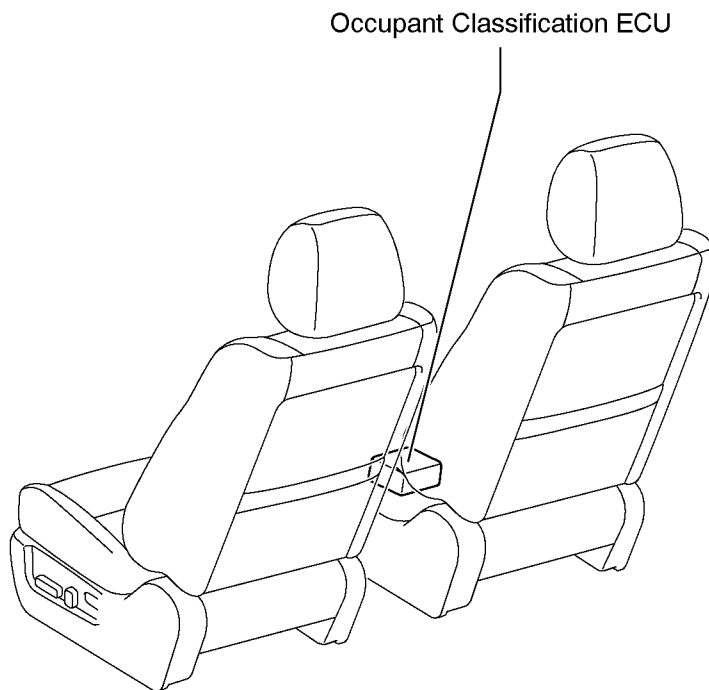
[Instrument Panel]



[Body]



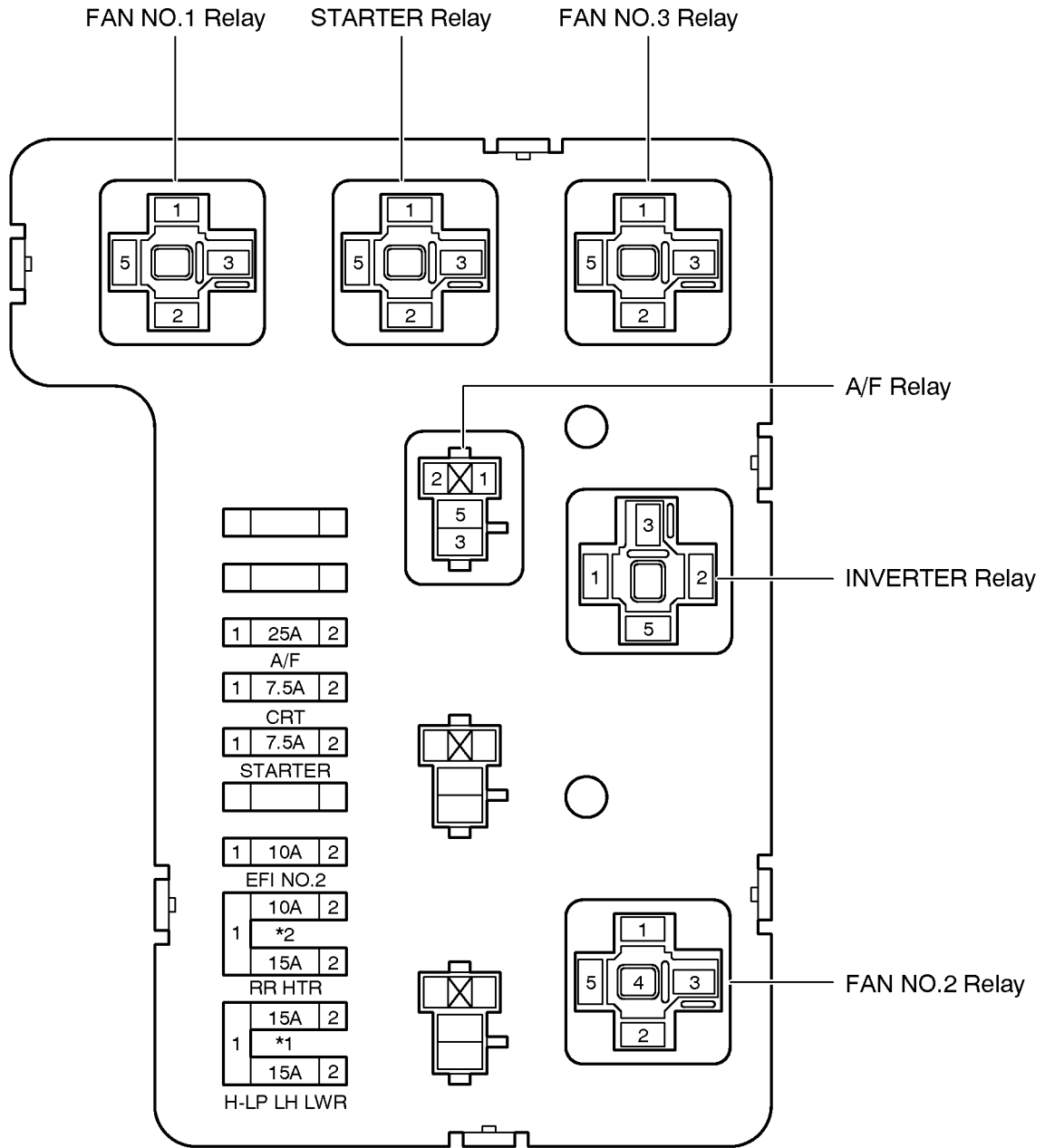
[Seat]



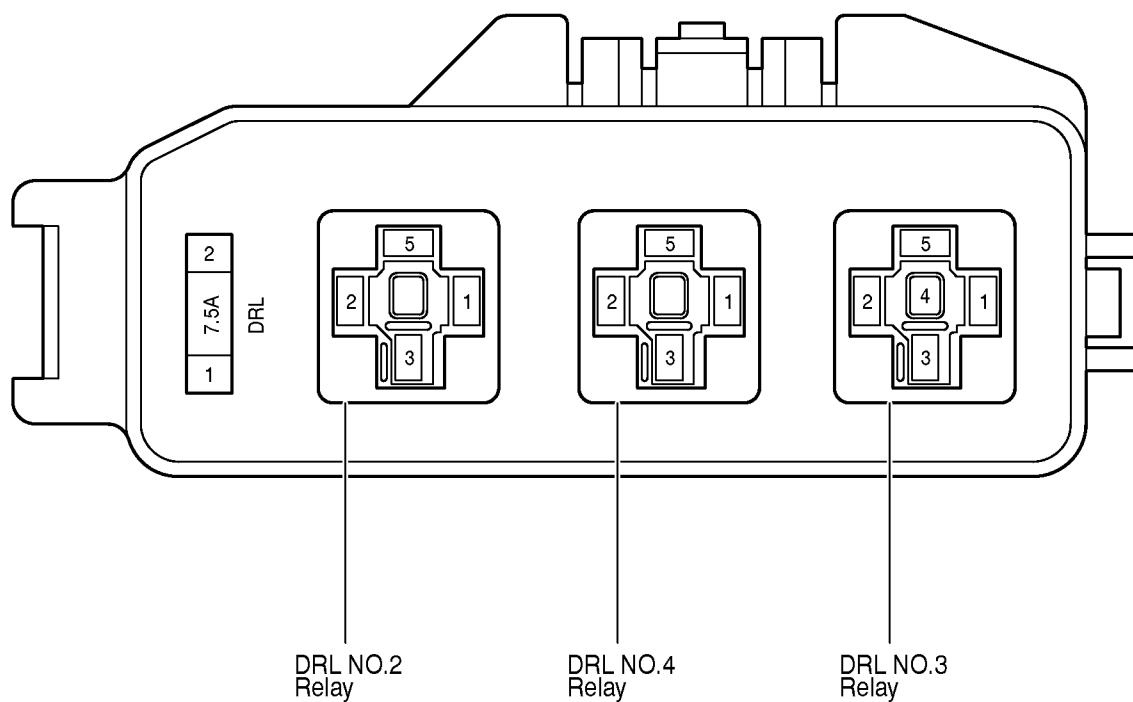
F RELAY LOCATIONS

② : Engine Room R/B Engine Compartment Left
[Inside Engine Room J/B] (See Page 20)

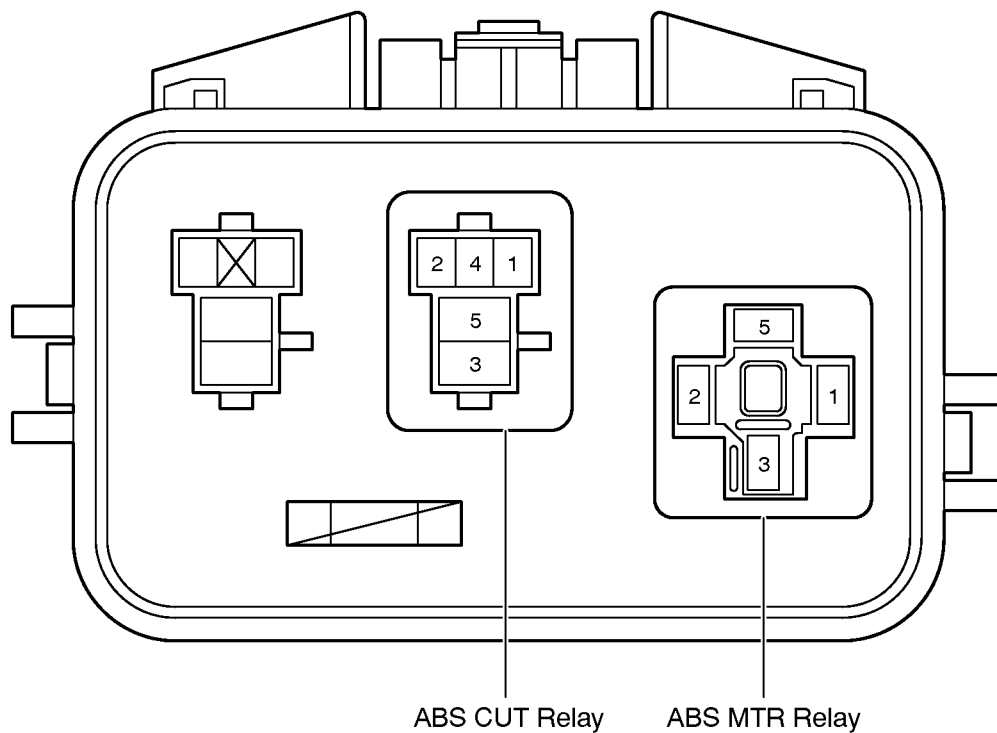
* 1:H-LP RH LWR
* 2:ETCS



③ : Engine Room R/B No.3 **Engine Compartment Rear Left (See Page 20)**

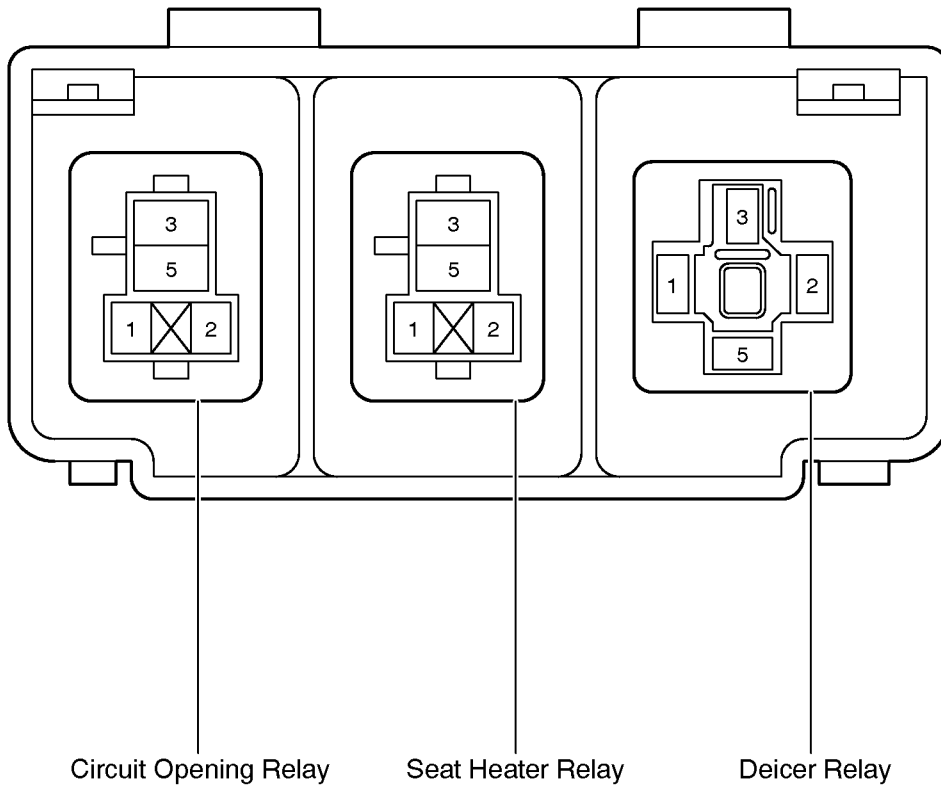


⑤ : ABS R/B **Engine Compartment Rear Left (See Page 20)**



F RELAY LOCATIONS

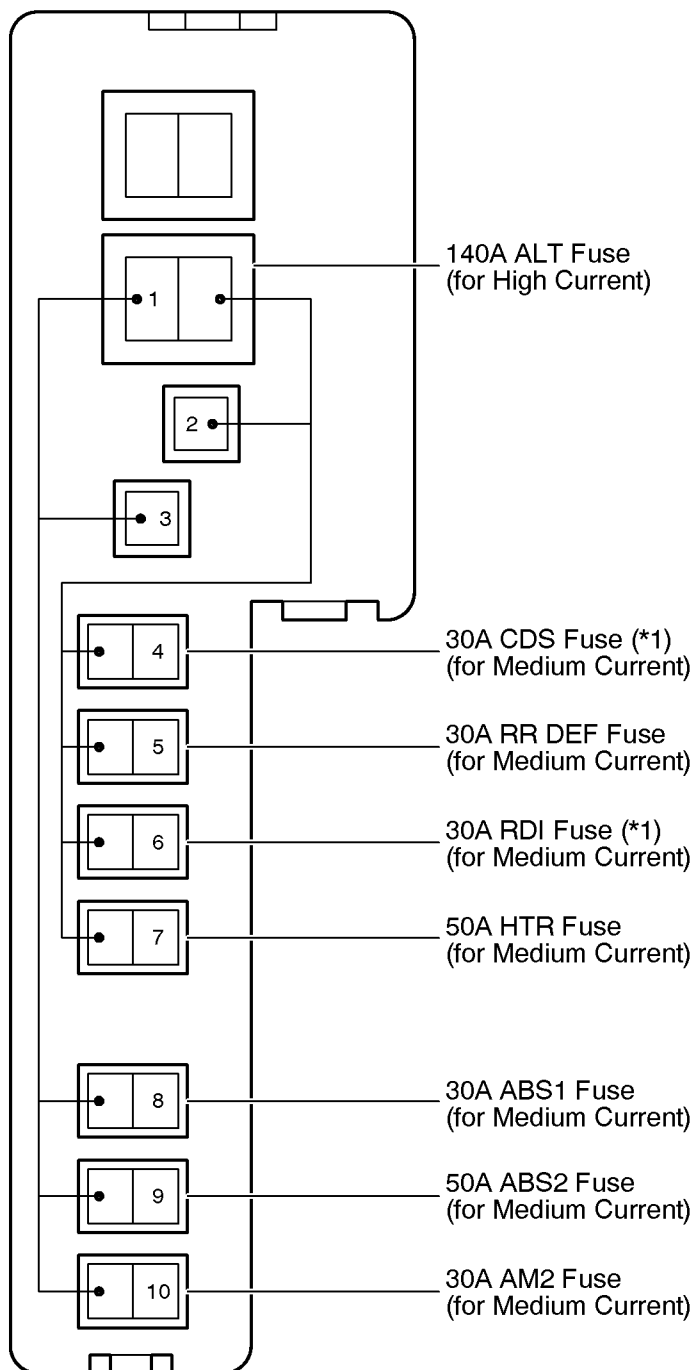
① : R/B No.1	Lower Finish Panel (See Page 20)
--------------	----------------------------------



Fusible Link Block

**Engine Compartment Left
[Inside Engine Room J/B] (See Page 20)**

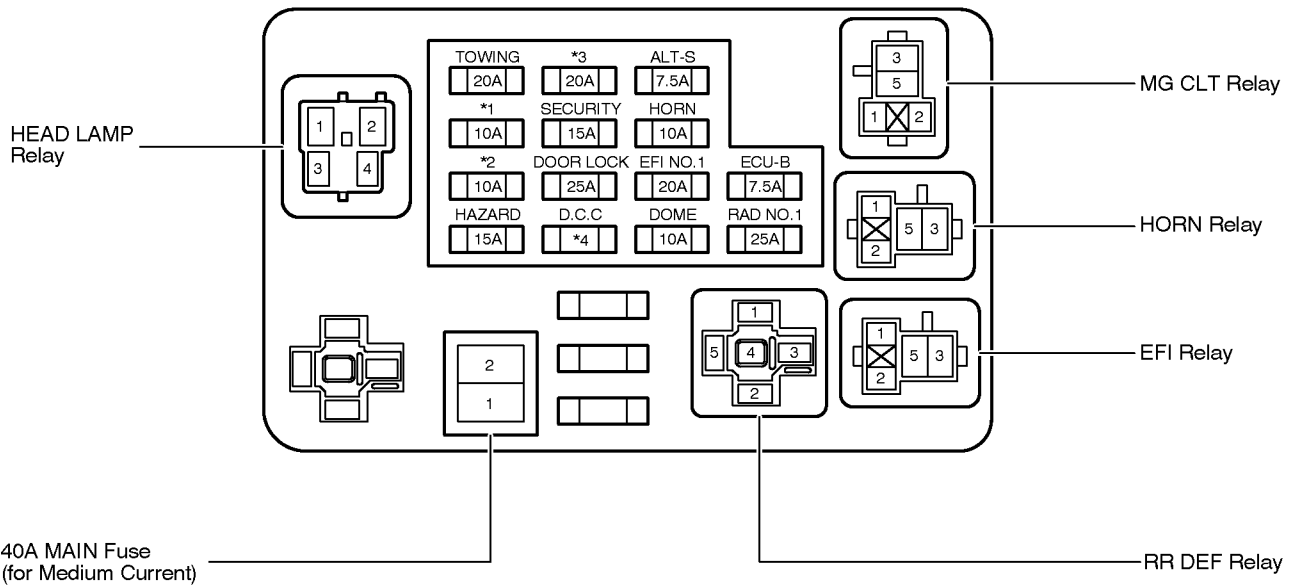
* 1:3MZ-FE



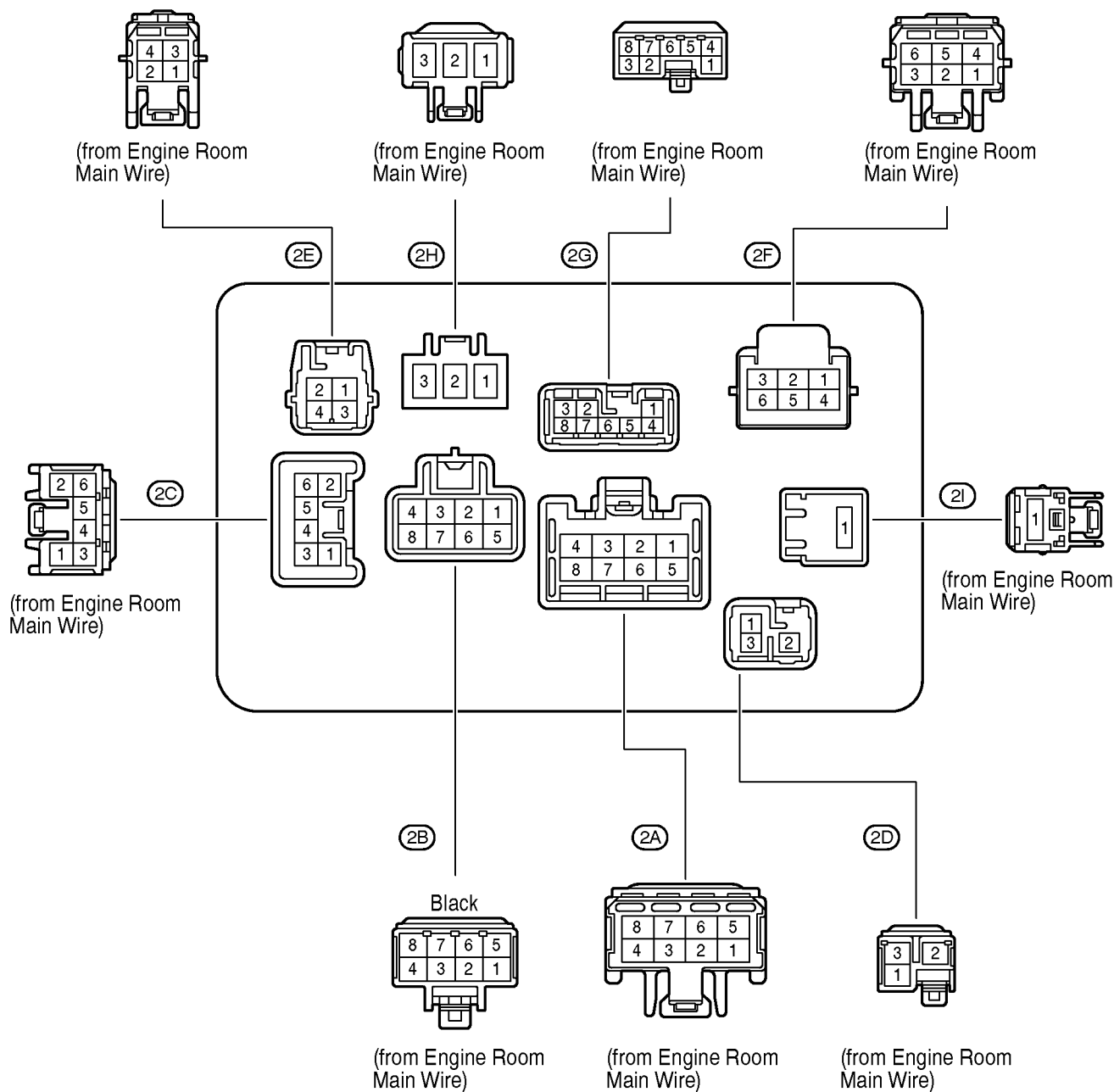
F RELAY LOCATIONS

○ : Engine Room J/B Engine Compartment Left (See Page 20)

- * 1:H-LP RH UPR
- * 2:H-LP LH UPR
- * 3:POWER OUTLET2
- * 4:SHORT



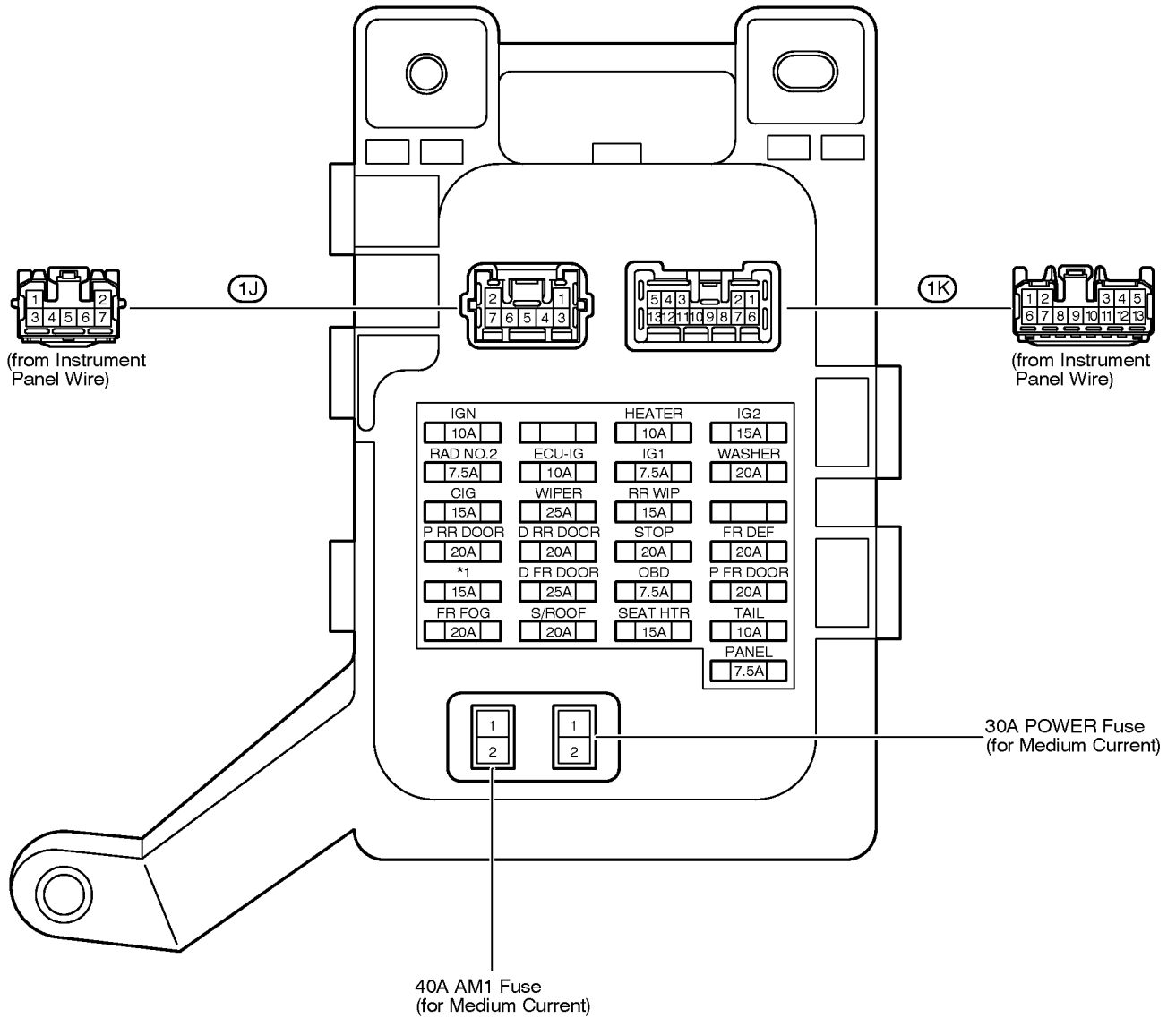
(Inner Circuit : See Page 34)

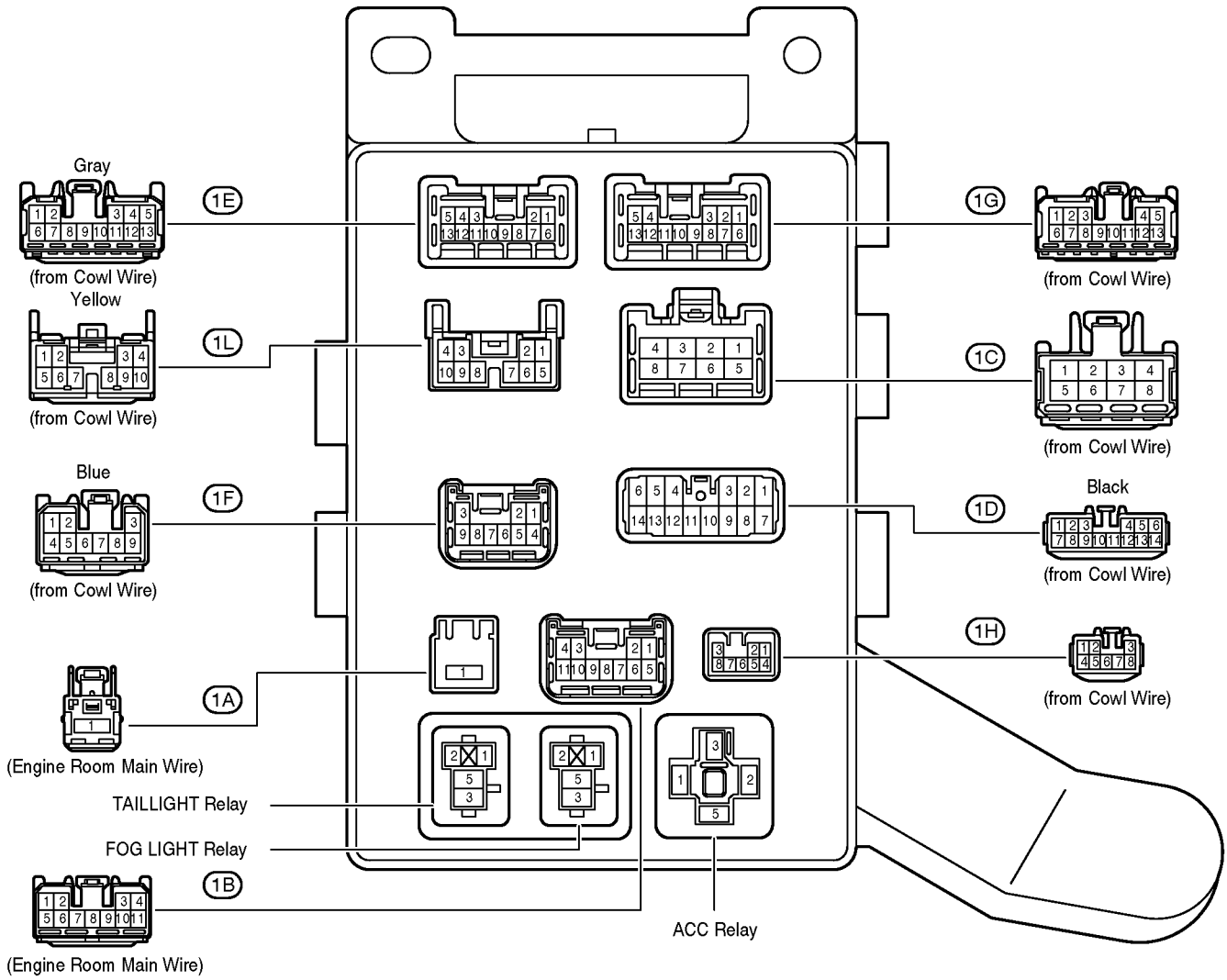


F RELAY LOCATIONS

○ : Instrument Panel J/B Lower Finish Panel (See Page 20)

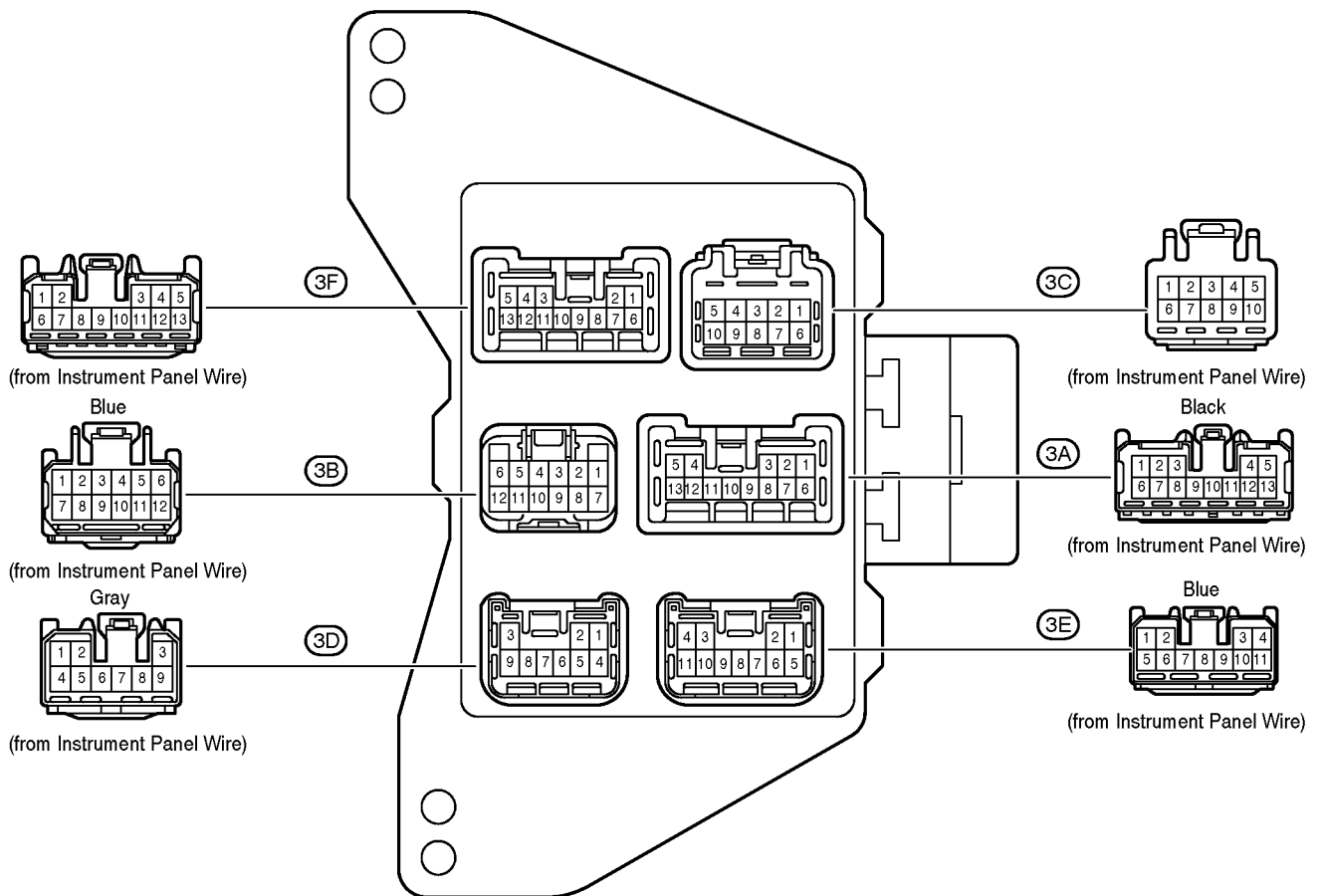
* 1:PWR OUTLET1

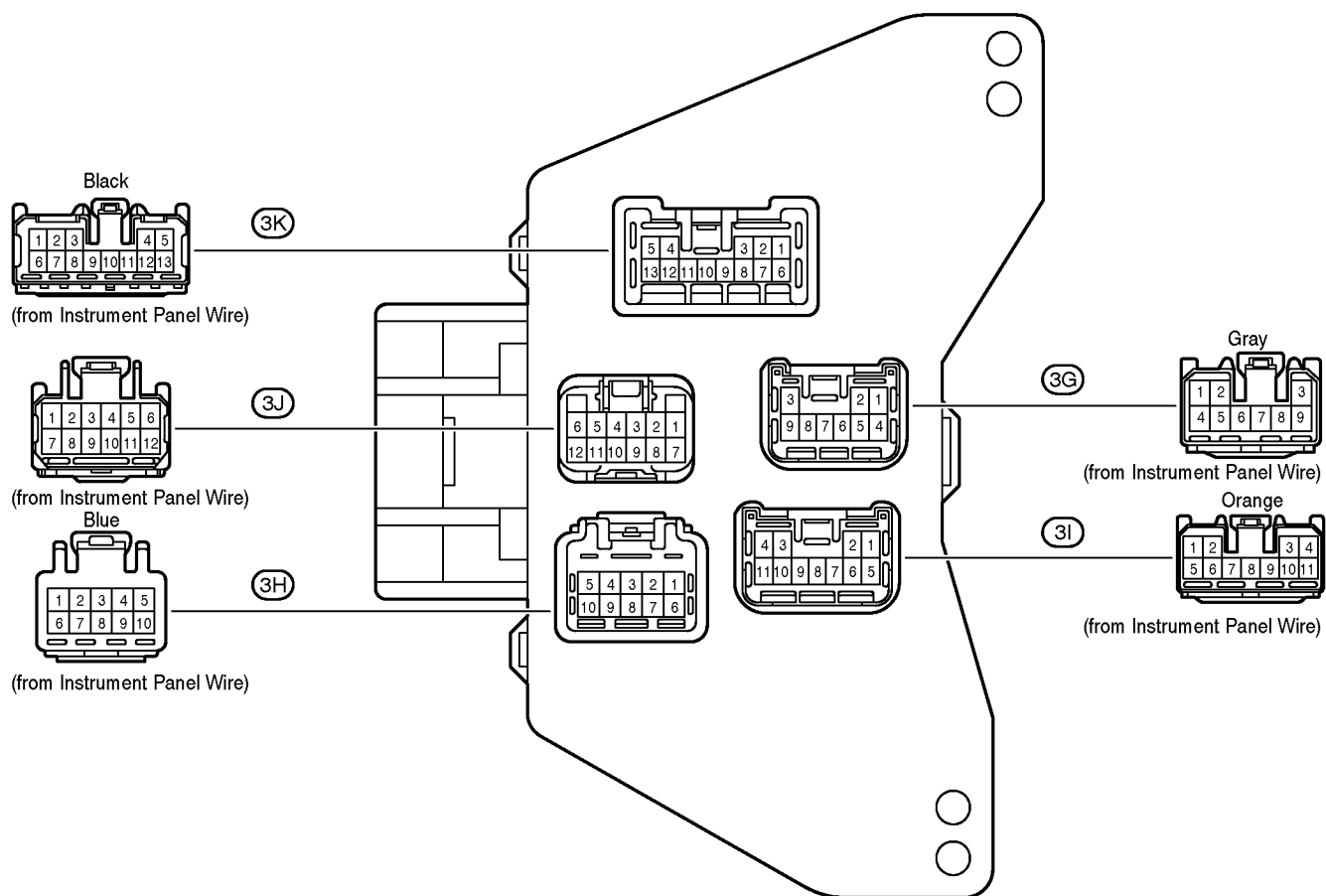




F RELAY LOCATIONS

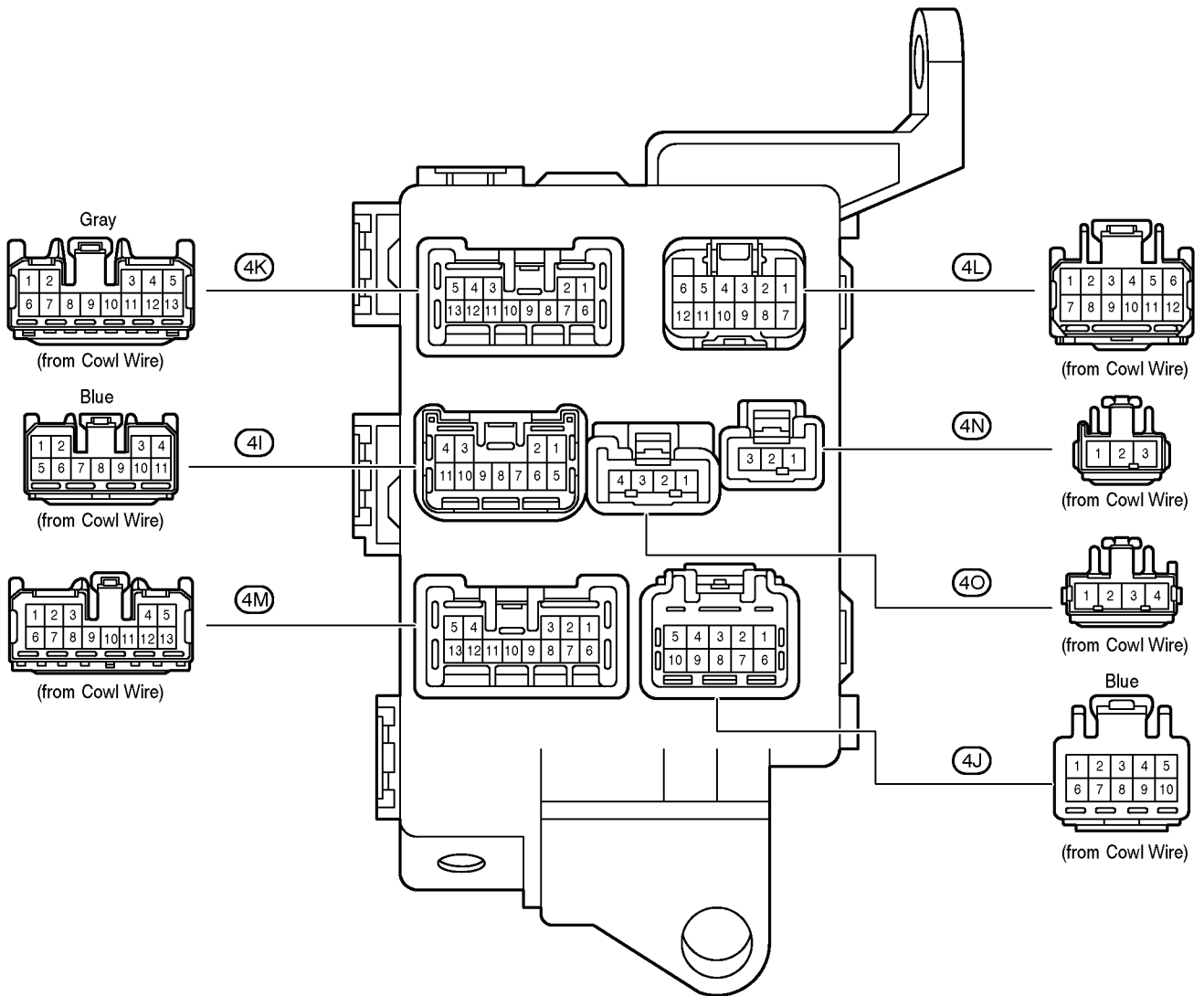
<p>○ : Center J/B</p>	<p>Behind the Instrument Panel Center (See Page 20)</p>
-----------------------	---



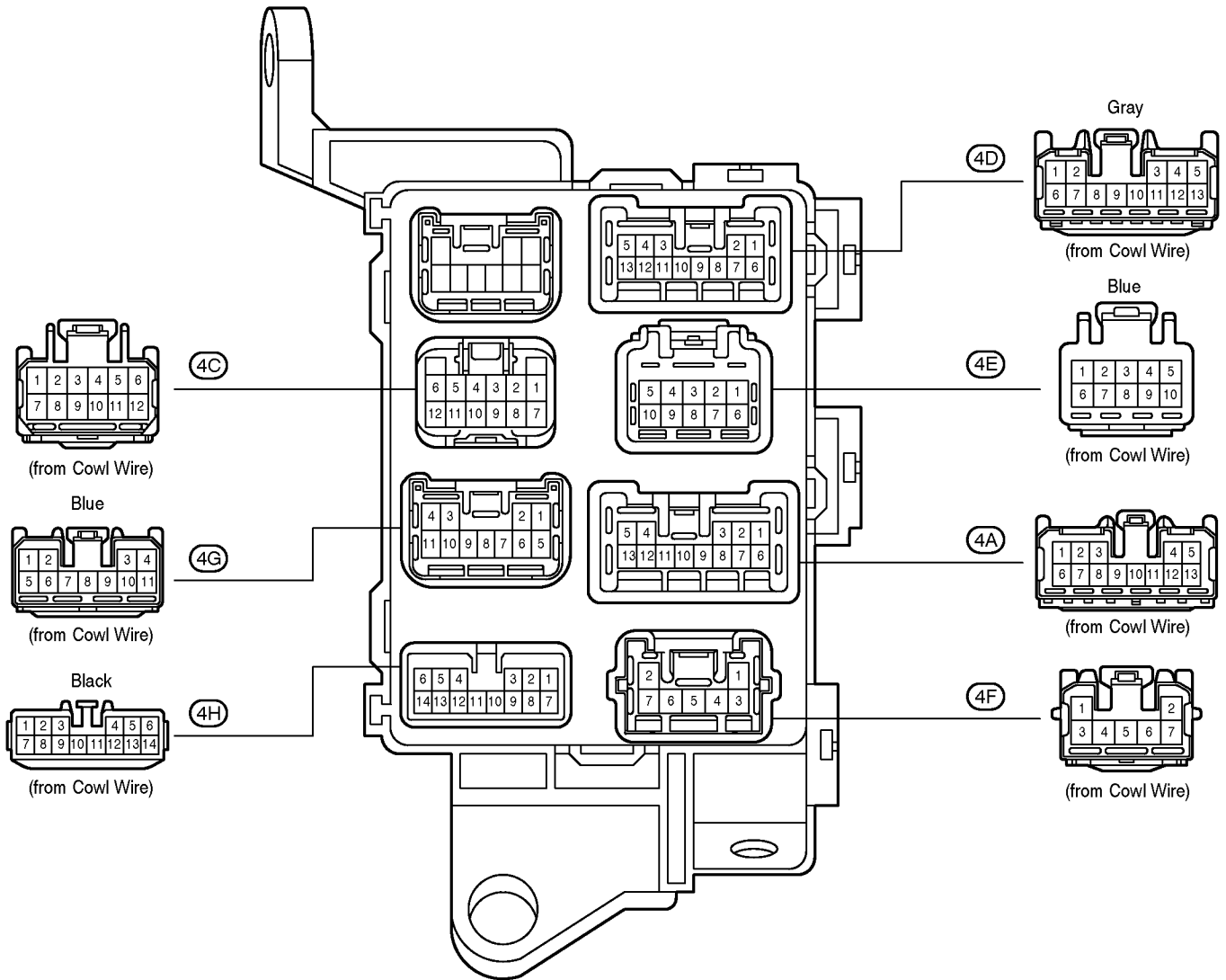


F RELAY LOCATIONS

○ : Passenger Side J/B **Right Side of Grove Box (See Page 20)**



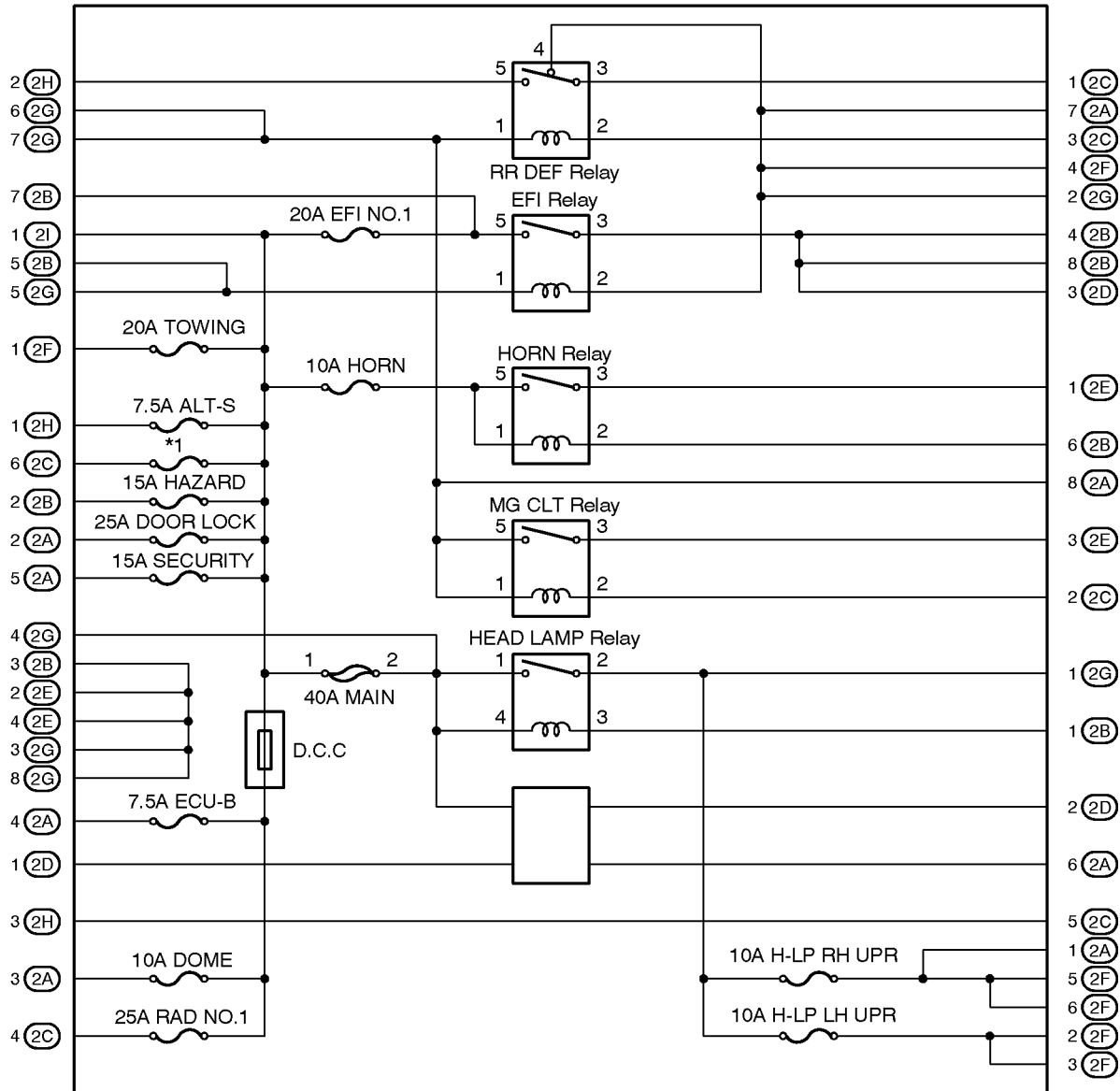
(Inner Circuit : See Page 37)



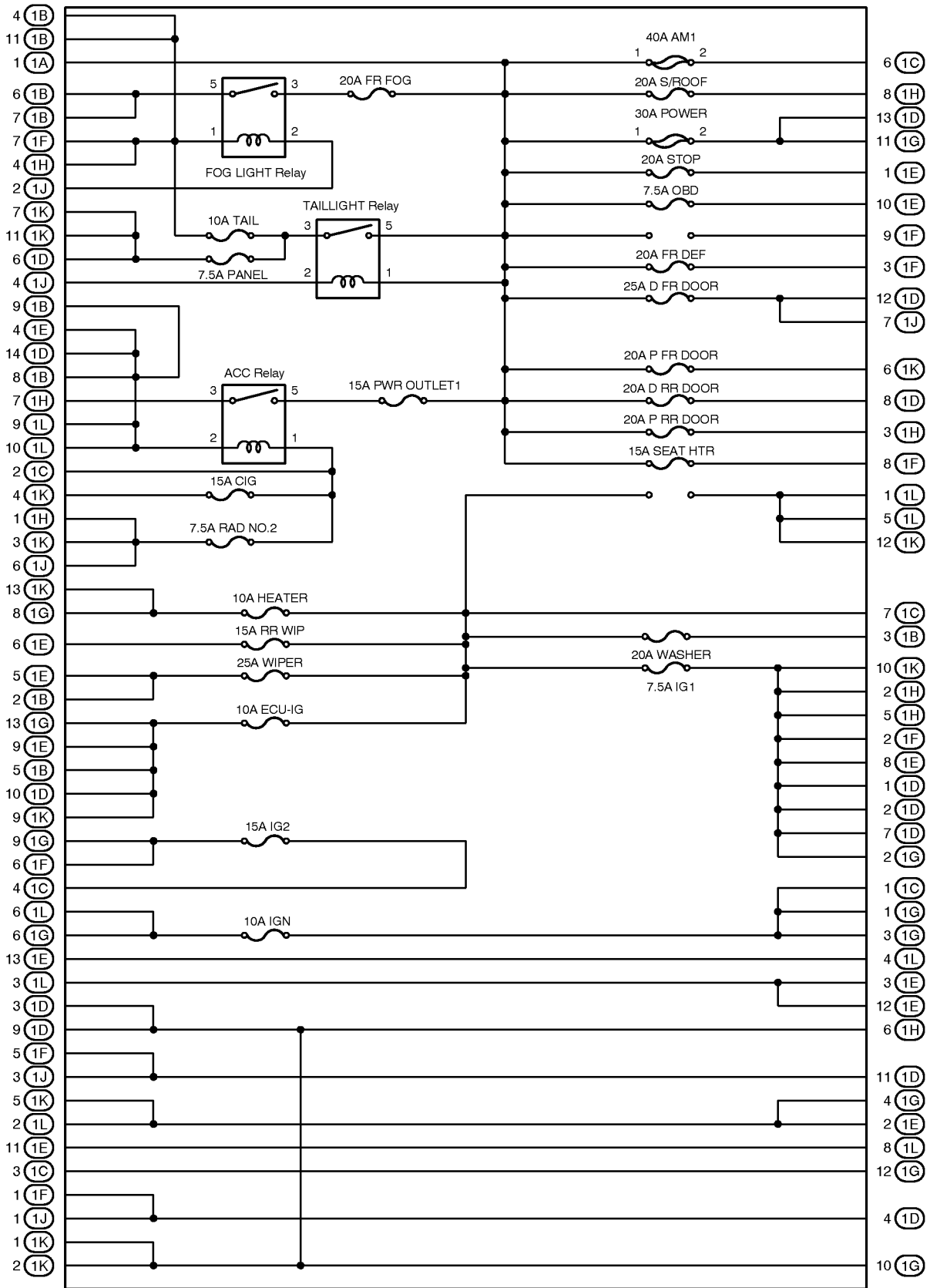
F RELAY LOCATIONS

[Engine Room J/B Inner Circuit]

* 1:20A POWER OUTLET2

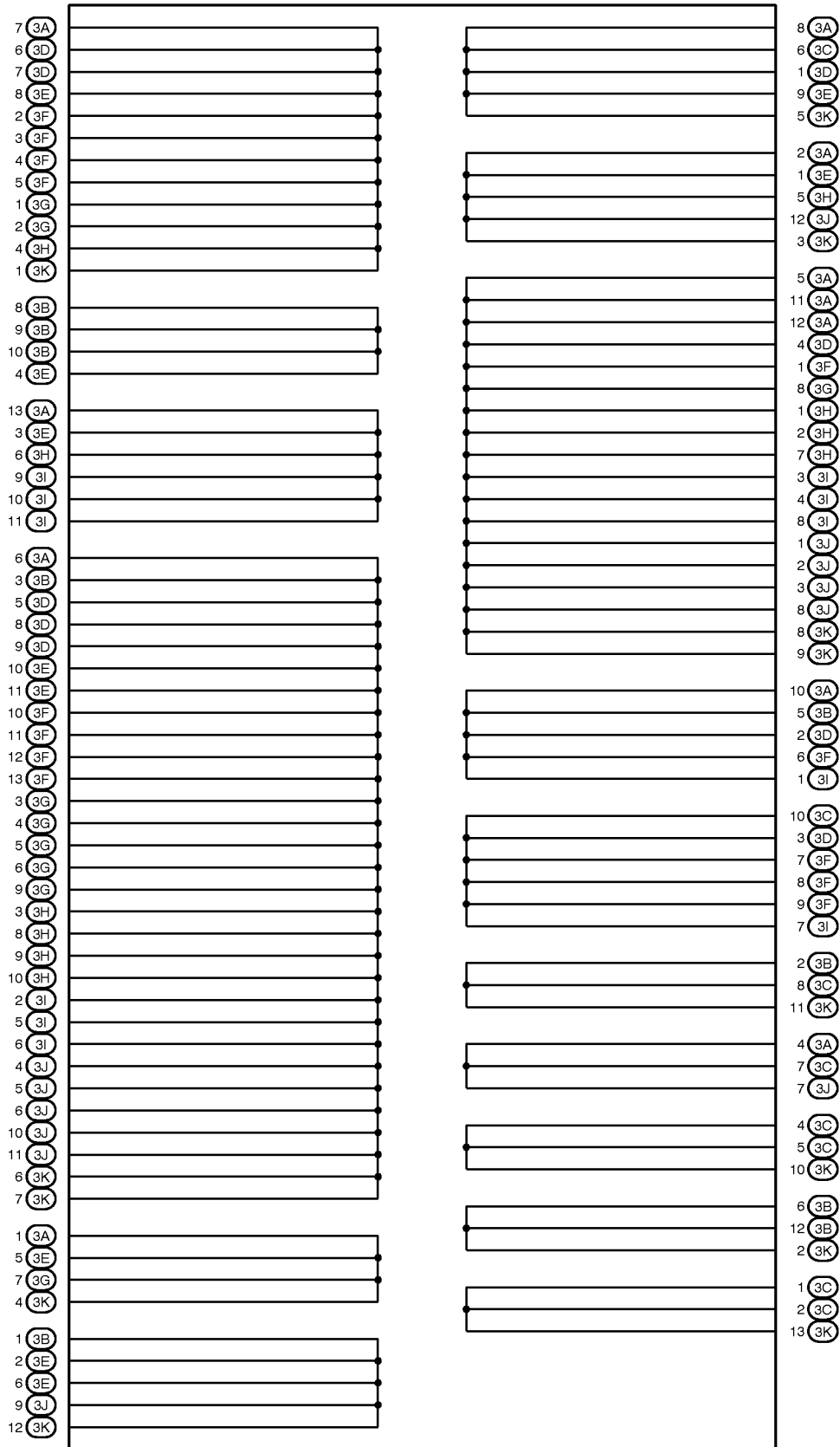


[Instrument Panel J/B Inner Circuit]



F RELAY LOCATIONS

[Center J/B Inner Circuit]



[Passenger Side J/B Inner Circuit]

